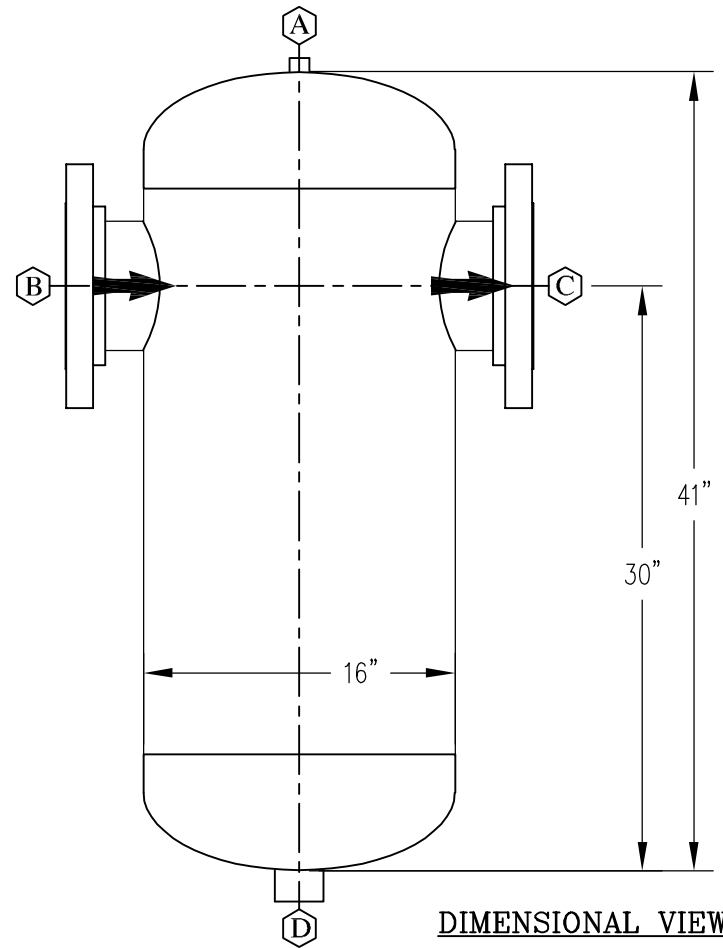


**TOP ORIENTATION VIEW**



**DIMENSIONAL VIEW**

NOZZLE SCHEDULE				
MARK	SIZE	SPEC	NOZ. TYPE	FUNCTION
A	1/4"	6000#	CPLG	VENT
B	6"	300#	R.F.S.O.	INLET
C	6"	300#	R.F.S.O.	OUTLET
D	1 1/2"	3000#	CPLG	DRAIN


NOTES: 1. DESIGNED, FABRICATED AND STAMPED IN ACCORDANCE WITH ASME CODE SECTION VIII, DIV. 1.

2. SEPARATORS AVAILABLE IN CARBON STEEL, 304 & 316 STAINLESS STEEL, OR OPTIONAL ALLOYS UPON REQUEST.

3. ALL DIMENSIONS ARE IN INCHES

4. APPROXIMATE WEIGHT = 401 LBS

REVISION: 0			
NO.	DESCRIPTION	BY DATE	NO.

<b>CONSTRUCTION</b> A.S.M.E. SECTION VIII DIVISION I A.S.M.E. Ⓢ-U1 STAMP REQUIRED		<b>DIDION SEPARATOR COMPANY</b> A DIVISION OF  <b>DIDION'S MECHANICAL</b> PH: (419) 483-2226    WEB: didionseparator.com FX: (419) 483-4382 <i>NOT BIGGEST...BEST!</i> e-mail: dmech@didionsmech.com	
<b>DESIGN SPECIFICATIONS</b>		DESCRIPTION: HORIZONTAL FLOW SEPARATOR MODEL#: DST-6-300 SALES DRAWING	
DES. PRESS.	500 PSIG	DRWN. JLD	DATE: 03-29-10
DES. TEMP.	650° F.	CHK.	APPR.
FULL VACUUM	YES	DRAWING NUMBER	
CORR. ALL.	1/16"	D.M. NO.	REV.
HYDRO. TEST	650 PSIG	DST-6-300-SALES	
STRESS REL.	NONE REQ'D	P.O. NO.	SHEET NO. 1 OF 1
RADIOGRAPH	NONE REQ'D	THIS DRAWING AND ALL INFORMATION ON IT IS THE PROPERTY OF DIDION'S MECHANICAL. IT IS CONFIDENTIAL AND IS GIVEN TO YOU FOR A LIMITED PURPOSE AND MUST BE RETURNED ON REQUEST. NEITHER THIS DRAWING NOR ANY PART OF IT NOR ANY INFORMATION CONCERNING IT MAY BE COPIED, EXHIBITED OR FURNISHED TO OTHERS NOR MAY PHOTOGRAPHS BE TAKEN OF ANY ARTICLE FABRICATED OR ASSEMBLED FROM THIS DRAWING WITHOUT CONSENT OF DIDION'S MECHANICAL.	
M.D.M.T	-20° F. @ 500 PSIG		