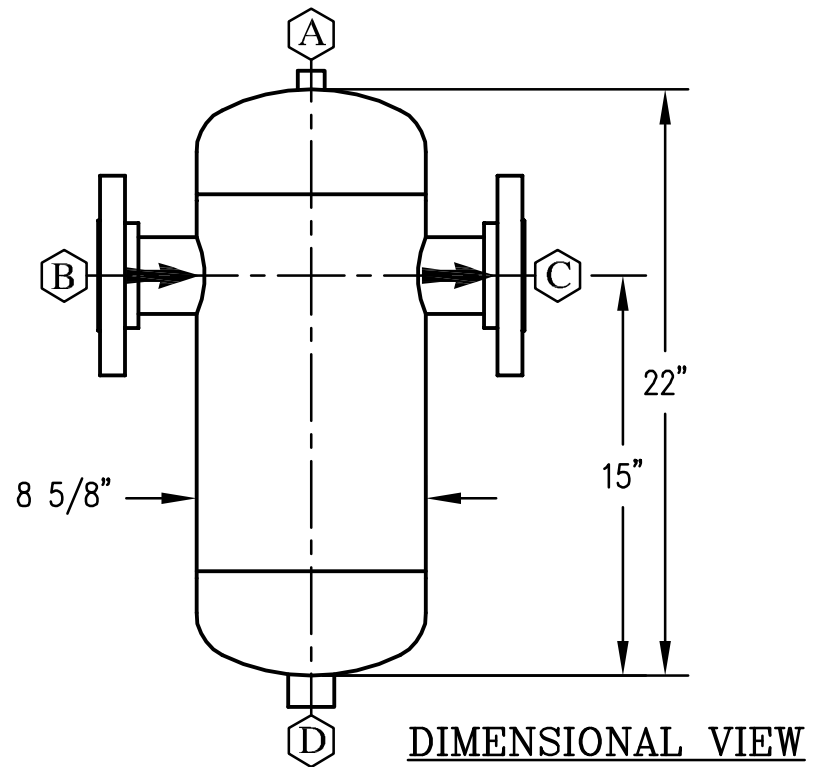


TOP ORIENTATION VIEW



DIMENSIONAL VIEW

NOZZLE SCHEDULE				
MARK	SIZE	SPEC	NOZ. TYPE	FUNCTION
A	1/4"	6000#	CPLG	VENT
B	2 1/2"	300#	R.F.S.O.	INLET
C	2 1/2"	300#	R.F.S.O.	OUTLET
D	1"	3000#	CPLG	DRAIN

NOTE: 1. DESIGNED, FABRICATED AND STAMPED IN ACCORDANCE WITH ASME CODE SECTION VIII, DIV. 1.

2. SEPARATORS AVAILABLE IN CARBON STEEL, 304 & 316 STAINLESS STEEL, OR OPTIONAL ALLOYS UPON REQUEST.

3. ALL DIMENSIONS ARE IN INCHES

4. APPROXIMATE WEIGHT = 92 LBS

NO.		DESCRIPTION		BY DATE		NO.		DESCRIPTION	
CONSTRUCTION A.S.M.E. SECTION VIII DIVISION I A.S.M.E. -U1 STAMP REQUIRED									
DESIGN SPECIFICATIONS									
DES. PRESS.	500 PSIG	DRWN.	JLD	DATE:	03/23/10	APPR.		DATE:	
DES. TEMP.	650° F.	CHK.		DATE:		APPR.		DATE:	
FULL VACUUM	YES	SCALE:		DRAWING NUMBER		REV.	0	SHEET	NO. 1
CORR. ALL.	1/16	D.M. NO.		DST-2.5-300-SALES		REV.		NO.	1
HYDRO. TEST	650 PSIG	P.O. NO.				OF		OF	1
STRESS REL.	NONE REQ'D	SALES DRAWING							
RADIOGRAPH	NONE REQ'D	THIS DRAWING AND ALL INFORMATION ON IT IS THE PROPERTY OF DIDION'S MECHANICAL. IT IS CONFIDENTIAL AND IS GIVEN TO YOU FOR A LIMITED PURPOSE AND MUST BE RETURNED ON REQUEST. NEITHER THIS DRAWING NOR ANY PART OF IT NOR ANY INFORMATION CONCERNING IT MAY BE COPIED, EXHIBITED OR FURNISHED TO OTHERS NOR MAY PHOTOGRAPHS BE TAKEN OF ANY ARTICLE FABRICATED OR ASSEMBLED FROM THIS DRAWING WITHOUT CONSENT OF DIDION'S MECHANICAL.							
M.D.M.T	-20° F. @ 500 PSIG								

REVISION: 0			
NO.	DESCRIPTION	BY DATE	NO.

DIDION SEPARATOR COMPANY



PH: (419) 483-2226 DIDION'S MECHANICAL WEB: didionseparator.com
 FX: (419) 483-4382 **NOT BIGGEST...BEST!** e-mail: dmech@didionmech.com

DESCRIPTION: HORIZONTAL FLOW SEPARATOR
 MODEL#: DST-2 1/2-300