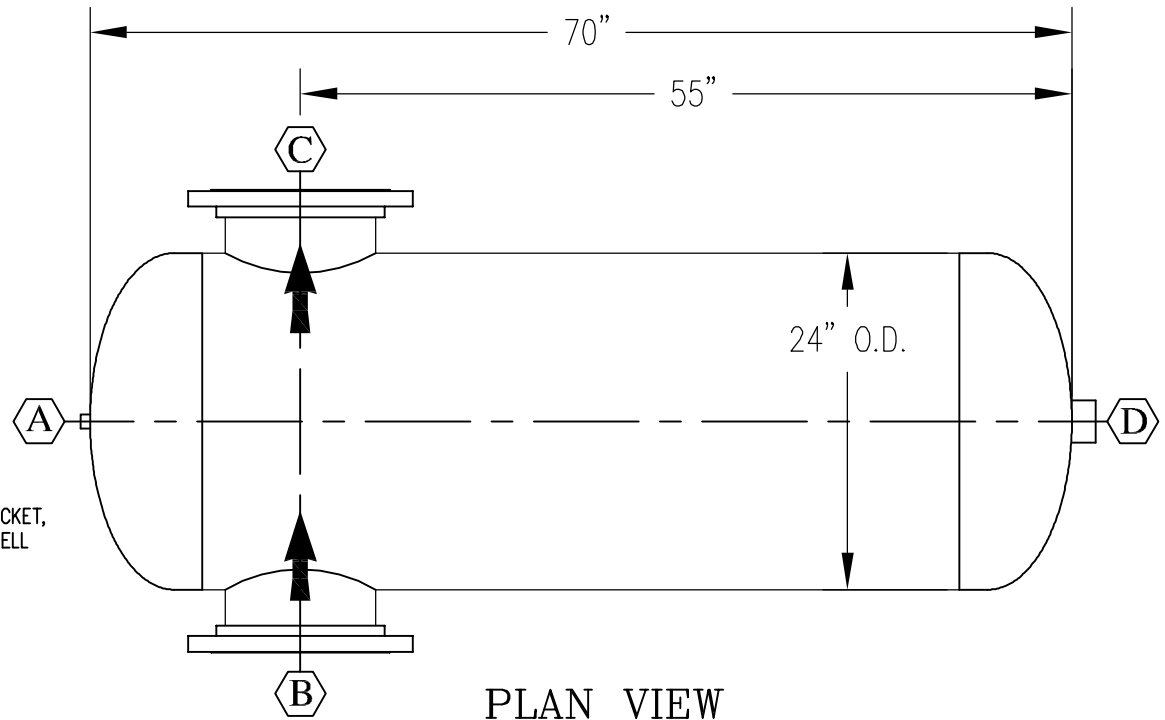


ORIENTATION



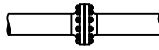
NOZZLE SCHEDULE				
MARK	SIZE	SPEC	NOZ. TYPE	FUNCTION
A	1/4"	6000#	CPLG	VENT
B	10"	150#	R.F.S.O.	INLET
C	10"	150#	R.F.S.O.	OUTLET
D	2"	3000#	CPLG	DRAIN

NOTE: 1. DESIGNED, FABRICATED AND STAMPED IN ACCORDANCE WITH ASME CODE SECTION VIII, DIV. 1.

2. SEPARATORS AVAILABLE IN CARBON STEEL, 304 & 316 STAINLESS STEEL, OR OPTIONAL ALLOYS UPON REQUEST.

3. ALL DIMENSIONS ARE IN INCHES

4. APPROXIMATE WEIGHT 878 LBS

REVISION: 0				
NO.	DESCRIPTION	BY DATE	NO.	DESCRIPTION
DIDION SEPARATOR COMPANY A DIVISION OF  DIDION'S MECHANICAL PH: (419) 483-2226 WEB: didionseparator.com FX: (419) 483-4382 <i>NOT BIGGEST....BEST!</i> e-mail: dmech@didionsmech.com				
DESCRIPTION: HORIZONTAL FLOW SEPARATOR				
MODEL#: DST-10-150				
SALES DRAWING				
DRWN. JLD	DATE: 04-15-10	APPR.	DATE:	
CHK.	DATE:	APPR.	DATE:	
FULL VACUUM	YES	SCALE:	DRAWING NUMBER	
CORR. ALL.	1/16"	D.M. NO.	DST-10-150-SALES	REV. 0
HYDRO. TEST	195 PSIG	P.O. NO.		SHEET NO. 1 OF 1
STRESS REL.	NONE REQ'D	THIS DRAWING AND ALL INFORMATION ON IT IS THE PROPERTY OF DIDION'S MECHANICAL. IT IS CONFIDENTIAL AND IS GIVEN TO YOU FOR A LIMITED PURPOSE AND MUST BE RETURNED ON REQUEST. NEITHER THIS DRAWING NOR ANY PART OF IT NOR ANY INFORMATION CONCERNING IT MAY BE COPIED, EXHIBITED OR FURNISHED TO OTHERS NOR MAY PHOTOGRAPHS BE TAKEN OF ANY ARTICLE FABRICATED OR ASSEMBLED FROM THIS DRAWING WITHOUT CONSENT OF DIDION'S MECHANICAL.		
RADIOGRAPH	NONE REQ'D			
M.D.M.T	-20° F. @ 150 PSIG			

CONSTRUCTION
A.S.M.E. SECTION VIII DIVISION I
2013 EDITION
A.S.M.E. -U1 STAMP REQUIRED

DESIGN SPECIFICATIONS

DES. PRESS.	150 PSIG
DES. TEMP.	500° F.
FULL VACUUM	YES
CORR. ALL.	1/16"
HYDRO. TEST	195 PSIG
STRESS REL.	NONE REQ'D
RADIOGRAPH	NONE REQ'D
M.D.M.T	-20° F. @ 150 PSIG