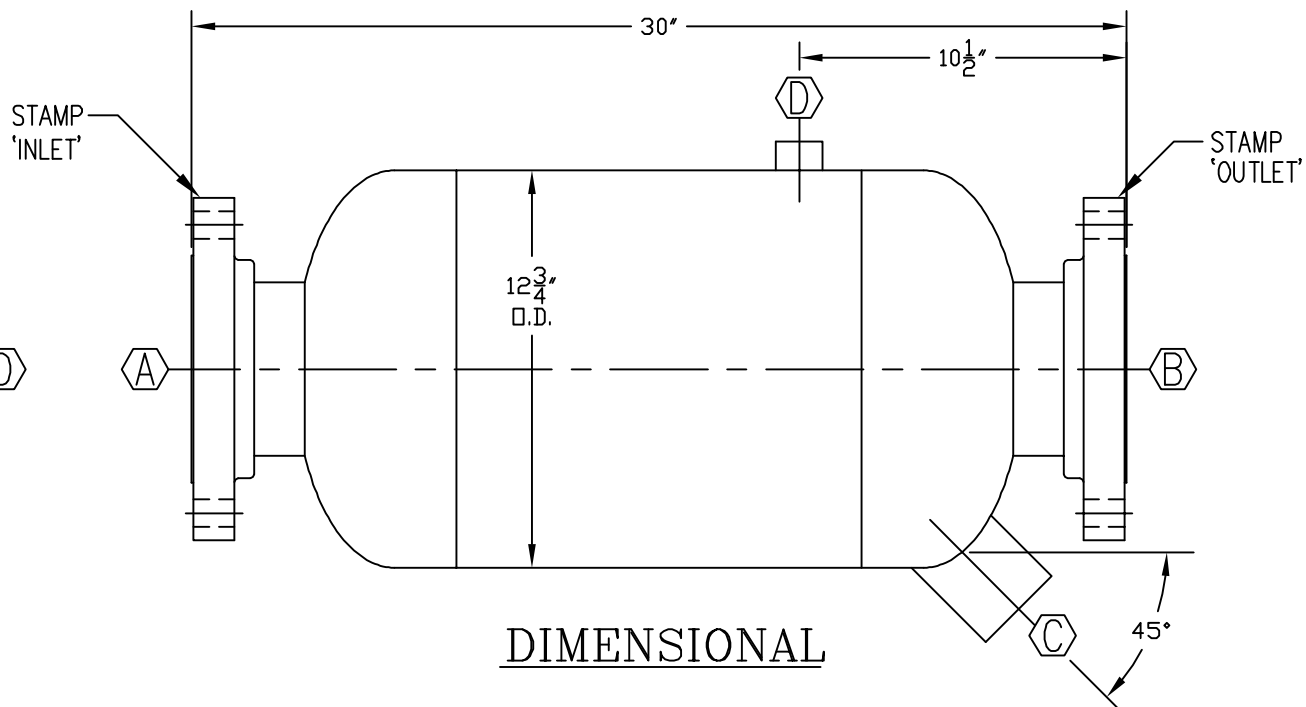


ORIENTATION

NOZZLE SCHEDULE					
MARK	SIZE	WALL THK.	NOZ. TYPE	RTG-PSI	FUNCTION
A	5"	.375"	RF-SO	300	INLET
B	5"	.375"	RF-SO	300	OUTLET
C	2"	--	FULL CPLG	3000	DRAIN
D	1/2"	--	HALF CPLG	6000	VENT

NOTES:

- FLANGE BOLT HOLES TO STRADDLE VESSEL Q'S.
- APPROX. WEIGHT:
 - DRY-213 lbs.
 - FLOODED(WATER)-299 lbs.
- UNIT IS PAINTED WITH A HIGH HEAT RESISTANT PAINT, SAFETY BLUE.



DIMENSIONAL

CONSTRUCTION	
A.S.M.E. SECTION VIII DIVISION I 2013 EDITION	
A.S.M.E. -U1 STAMP REQUIRED	
DESIGN SPECIFICATIONS	
DES. PRESS.	500 PSIG
DES. TEMP.	650° F.
FULL VACUUM	YES
CORR. ALL.	1/16"
HYDRO. TEST	650 PSIG
STRESS REL.	NONE REQ'D
RADIOGRAPH	NONE REQ'D
M.D.M.T	-20° F. @ 500 PSIG

REVISION: 0					
NO.	DESCRIPTION	BY DATE	NO.	DESCRIPTION	BY DATE

DIDION SEPARATOR COMPANY

A DIVISION OF



DIDION'S MECHANICAL

WEB: didionseparator.com

NOT BIGGEST....BEST!

e-mail: dmech@didionsmech.com

PH: (419) 483-2226

FX: (419) 483-4382

DESCRIPTION: HORIZONTAL/DOWN FLOW SEPARATOR

MODEL #DSL-5-300

DRWN. JLD	DATE: 03/22/10	APPR.	DATE:
CHK.	DATE:	APPR.	DATE:
SCALE:	DRAWING NUMBER		REV.
D.M. NO.	DSL-5-300-SALES		0
P.O. NO.			SHEET NO. 1 OF 1