

ORIENTATION

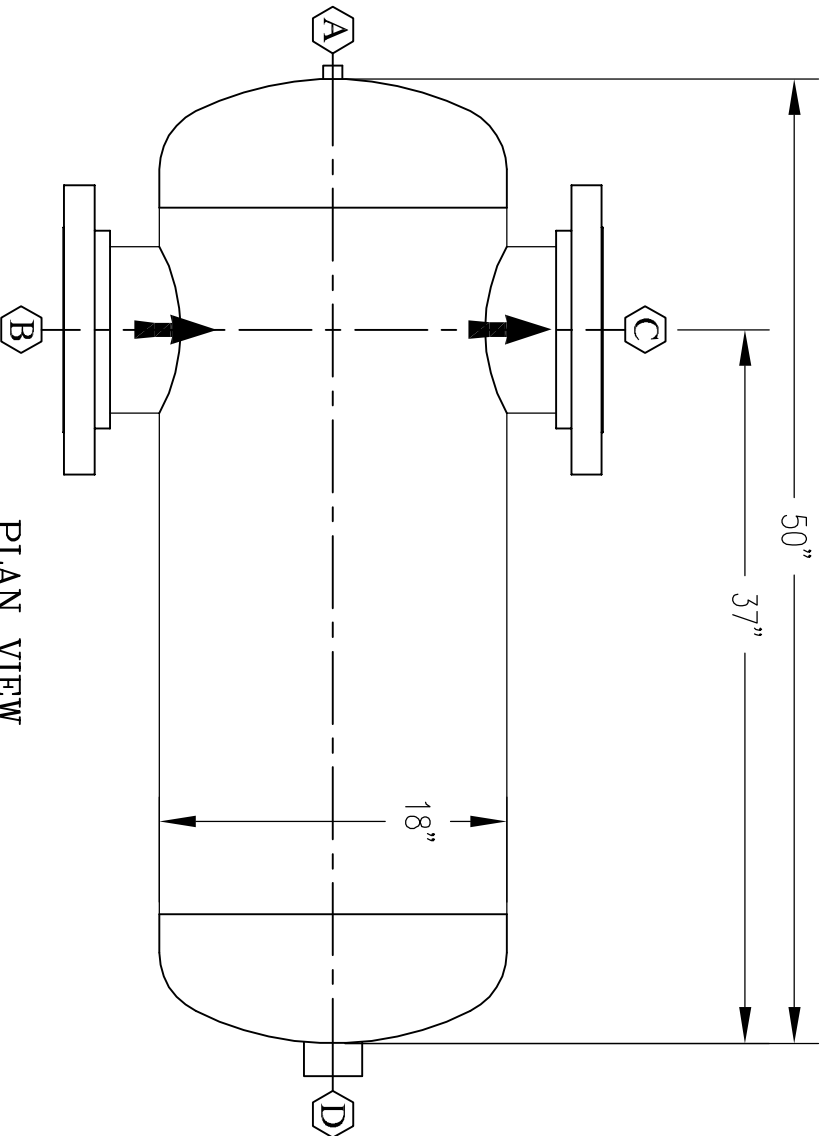
NOZZLE SCHEDULE				
MARK	SIZE	SPEC	NOZ. TYPE	FUNCTION
A	1/4"	6000#	GPLG	VENT
B	8"	300#	R.F.S.O.	INLET
C	8"	300#	R.F.S.O.	OUTLET
D	2"	3000#	GPLG	DRAIN

NOTES: 1. DESIGNED, FABRICATED AND STAMPED IN ACCORDANCE WITH ASME CODE SECTION VIII, DIV. 1.

2. SEPARATORS AVAILABLE IN CARBON STEEL, 304 & 316 STAINLESS STEEL, OR OPTIONAL ALLOYS UPON REQUEST.

3. ALL DIMENSIONS ARE IN INCHES

4. APPROXIMATE WEIGHT = 694 LBS



PLAN VIEW

CONSTRUCTION
 A.S.M.E. SECTION VIII DIVISION I
 2010 EDITION
 A.S.M.E. STAMP REQUIRED

DESIGN SPECIFICATIONS	
DES. PRESS.	500 PSI
DES. TEMP.	650 F.
FULL VACUUM	YES
CORR. ALL.	1/16
HYDRO. TEST	650 PSIG
STRESS REL.	NONE REQ'D
RADIOGRAPH	NONE REQ'D
M.D.M. T	-20 F. @ 500 PSI

REVISION: 0			
NO.	DESCRIPTION	BY DATE	NO.

DIDION SEPARATOR COMPANY

A DIVISION OF

DIDION'S MECHANICAL

NOT BIGGEST... BEST!

PH: (419) 483-2226 WEB: didionseparator.com
 FX: (419) 483-4382 e-mail: dmeech@didionsmech.com

DESCRIPTION: HORIZONTAL SEPARATOR MODEL #: DST-8-300

SALES DRAWING			
DRWN. JLD	DATE: 03-29-10	APPR.	DATE:
CHK.	DATE:	APPR.	DATE:
SCALE:	DRAWING NUMBER		REV.
D.M. NO.	DST-8-300-SALES		NO. 1
P.O. NO.			OF 1

THIS DRAWING AND ALL INFORMATION ON IT IS THE PROPERTY OF DIDION'S MECHANICAL. IT IS CONFIDENTIAL AND IS GIVEN TO YOU FOR A LIMITED PURPOSE AND MUST BE RETURNED ON REQUEST. NEITHER THIS DRAWING NOR ANY PART OF IT NOR ANY INFORMATION CONCERNING IT MAY BE COPIED, EXHIBITED OR FURNISHED TO OTHERS NOR MAY PHOTODUPLICATIONS BE TAKEN OF ANY ARTICLE FABRICATED OR ASSEMBLED FROM THIS DRAWING WITHOUT CONSENT OF DIDION'S MECHANICAL.