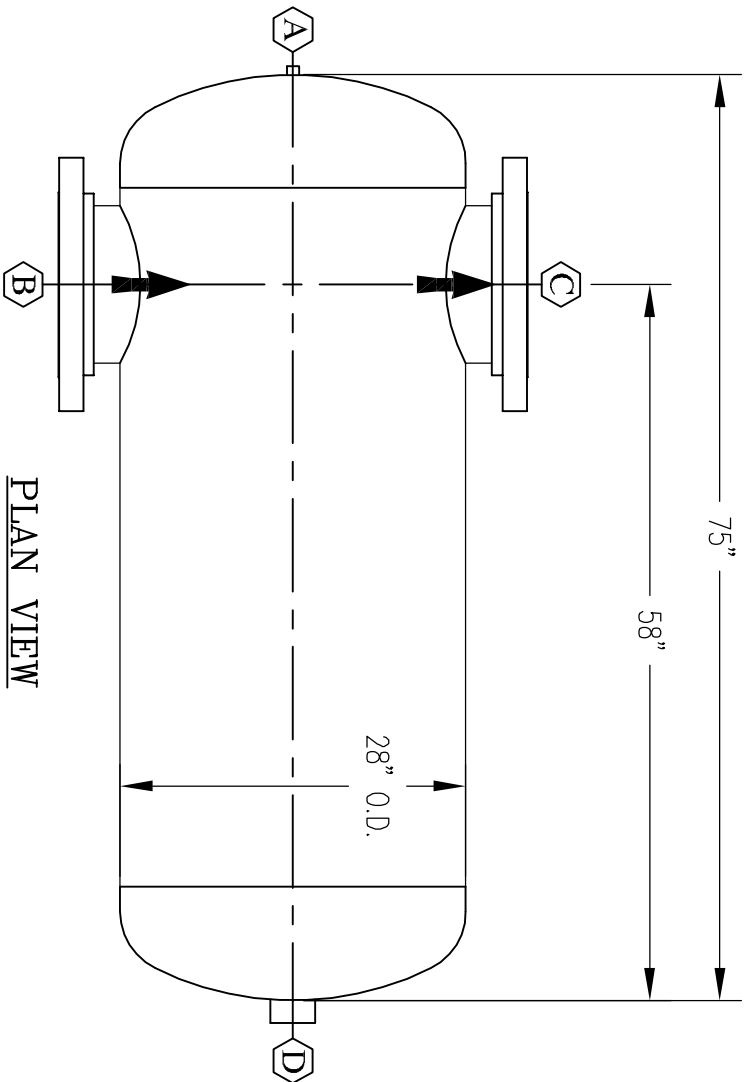


ORIENTATION



PLAN VIEW

NOZZLE SCHEDULE			
MARK	SIZE	SPEC	NOZ. TYPE FUNCTION
A	1/4"	6000#	OPLG VENT
B	12"	300#	R.F.S.O. INLET
C	12"	300#	R.F.S.O. OUTLET
D	2 1/2"	3000#	OPLG DRAIN

NOTE: 1. DESIGNED, FABRICATED, AND STAMPED IN ACCORDANCE WITH ASME CODE SECTION VIII, DIV. 1.

2. SEPERATORS AVAILABLE IN CARBON STEEL, 304 & 316 STAINLESS STEEL, OR OPTIONAL ALLOYS UPON REQUEST.

3. ALL DIMENSIONS ARE IN INCHES

4. APPROXIMATE WEIGHT = 1,890 LBS

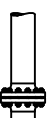
CONSTRUCTION
A.S.M.E. SECTION VIII DIVISION I
2010 EDITION
A.S.M.E. STAMP REQUIRED

DESIGN SPECIFICATIONS	
DES. PRESS.	500 PSI
DES. TEMP.	650 F.
FULL VACUUM	YES
CORR. ALL.	1/16
HYDRO. TEST	650 PSIG
STRESS REL.	NONE REQ'D
RADIOGRAPH	NONE REQ'D
M.D.M. T	-20 F. @ 500 PSI

REVISION: 0			
NO.	DESCRIPTION	BY DATE	NO.

DIDION SEPARATOR COMPANY

A DIVISION OF



DIDION'S MECHANICAL

NOT BIGGEST... BEST!

PH: (419) 483-2226 FAX: (419) 483-4382

WEB: didionseparator.com e-mail: dmec@didionsmech.com

DESCRIPTION: HORIZONTAL SEPARATOR

MODEL #: DST-12-300

SALES DRAWING

DRWN. JLD DATE: 04-15-10 APPR. DATE:

CHK. DATE: APPR. DATE:

SCALE: DRAWING NUMBER REV. SHEET

D.M. NO. DST-12-300-SALES 0 NO. 1

P.O. NO. OF 1

THIS DRAWING AND ALL INFORMATION ON IT IS THE PROPERTY OF DIDION'S MECHANICAL. IT IS CONFIDENTIAL AND IS GIVEN TO YOU FOR A LIMITED PURPOSE AND MUST BE RETURNED ON REQUEST. NEITHER THIS DRAWING NOR ANY PART OF IT NOR ANY INFORMATION CONCERNING IT MAY BE COPIED, EXHIBITED OR FURNISHED TO OTHERS NOR MAY PHOTOGRAPHS BE TAKEN OF ANY ARTICLE FABRICATED OR ASSEMBLED FROM THIS DRAWING WITHOUT CONSENT OF DIDION'S MECHANICAL.